

drive

DeVilbiss[®]
HEALTHCARE



Riser Recliner Chairs
Instruction Manual

Introduction

SAFETY

Thank you for purchasing this product. The product you have purchased combines state-of-the-art components with safety, comfort, and styling in mind. Please read and follow all instructions, warnings, and notes in this manual and all other accompanying literature before attempting to operate this product for the first time.

Please keep this manual with the riser recliner chair, or in a safe place. Contact Drive DeVilbiss Healthcare Ltd. or check our website for the latest version of this document. If there is any information in this manual which you do not understand, or if you require additional assistance for setup or operation, please contact your retailer or Drive DeVilbiss Healthcare Ltd.

Failure to follow the instructions, warnings and notes in this manual and those located on your product, can result in personal injury or product damage and will void the product warranty .

SHIPPING AND DELIVERY

Before using your riser recliner chair, make sure your delivery is complete as some components may be individually packaged. If you do not receive a complete delivery, please contact your retailer immediately.

Where damage has occurred during transport, either to the packaging or content, please contact your retailer.

CONTACT INFORMATION

For assistance in setting up, using, maintaining your riser recliner chair, to report unexpected operation or for any service, warranty, sales or customer service information regarding this product, please contact your retailer or Drive DeVilbiss Healthcare Ltd. Contact details for Drive DeVilbiss Healthcare Ltd. are located on the back page of this manual.

For Help & Support outside the United Kingdom, please contact the local distribution company from where this equipment was purchased. Failure to do so may result in the product warranty becoming void.

Contents

Introduction	2
Product Information	4
Symbol Definitions	5
Before Assembly	6
Assembly Instructions	7
Battery Backup and Handset	9
Safe Seating	11
Safety	12
Product Care	14
Disposal and Recycling	15
Troubleshooting	16
Fair Wear and Tear Policy	17
Warranty	18
Specification	19

Product Information

This manual is generic and incorporates all functionality available across the Riser Recliner Range. Not all functions are available on all models. Please contact your retailer to determine the model you have purchased and the functions specific to that model.

Model Descriptions

MEMPHIS

The Memphis is a dual motor recliner with a 4-button handset, upholstered in a soft feel Chenille fabric with a fully padded chaise and a memory foam seat. Available in 4 colours and either standard or petite size for a better fit.

Maximum Use Weight 150kg (23.5st)

NEVADA

The Nevada is a dual motor recliner with a simple to operate 4-button handset. Available upholstered in standard fabric or upholstered in a wipe down Crib 5 anti-microbial PVC, for increased hygiene and fire safety, ideal for use in multi-user care environments, (refers to Crib 5AM-PVC only).

Maximum User Weight 150kg (23.5st).

CHICAGO

The Chicago is a single motor recliner with a simple to operate 2-button handset. Available upholstered in standard fabric or upholstered in a wipe down Crib 5 anti-microbial PVC for increased hygiene and fire safety, ideal for use in multi-user care environments, (refers to Crib 5AM-PVC only).

Maximum User Weight 150kg (23.5st).

INDIANA

The Indiana is a single motor recliner with a 2-button handset, upholstered in a soft feel Chenille fabric with a fully padded chaise. Available in 4 colours and either standard or petite size for a better fit.

Maximum User Weight 150kg (23.5st).

ALASKA

The Alaska is an extra large, dual motor recliner with a 5-button handset, which includes a 'restore to normal' function as well as a safety jack key, for extra safety. It is available upholstered in a wipe down Crib 5 anti-microbial PVC for increased hygiene and fire safety, ideal for use in multi-user care environments. With a generous seat width of 72cm, this is the largest chair in the range.

Maximum User Weight 200kg (31.5st)

Symbol Definitions



Read and follow the information in the Instruction Manual.
Please retain this Manual for future reference.



Warning: Beware of a potential hazard.



Maximum Weight Capacity



For indoor use only.



Class II Electrical Equipment.



Dispose of all electrical components in line with local and national recycling policies.



Do not place objects under the lift chair. Ensure the area is clear of all obstructions, including pets and children, during operation.



Pinch/crush point hazard. Do not place objects or appendages in the path of moving parts.



Assembly requires 2 people.

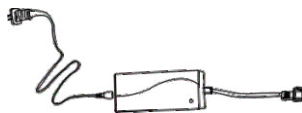


Distance from wall

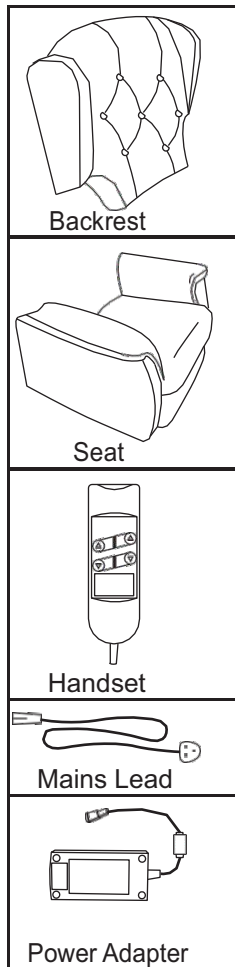
Before Assembly

Please keep this Instruction Manual for future reference.

- Ensure that there is a mains power socket close to where the chair will be positioned in the room.
- Do not use any sharp objects to open plastic-wrapped components, as damage may be caused to the product or component.
- Ensure that the seat and back are free from any damage, before assembling.
- Check that you have the seat, back, power adapter and handset included.
- Assemble the chair in the room that you intend to use it in or as close as possible to that room.
- Do not dispose of any packaging until the chair is fully assembled, so as to avoid disposing of any of the parts.
- Do not use or attempt to assemble this product if parts are missing, damaged or worn.
- Do not expose the handset to heat, otherwise the rubber material may become soft and sticky.

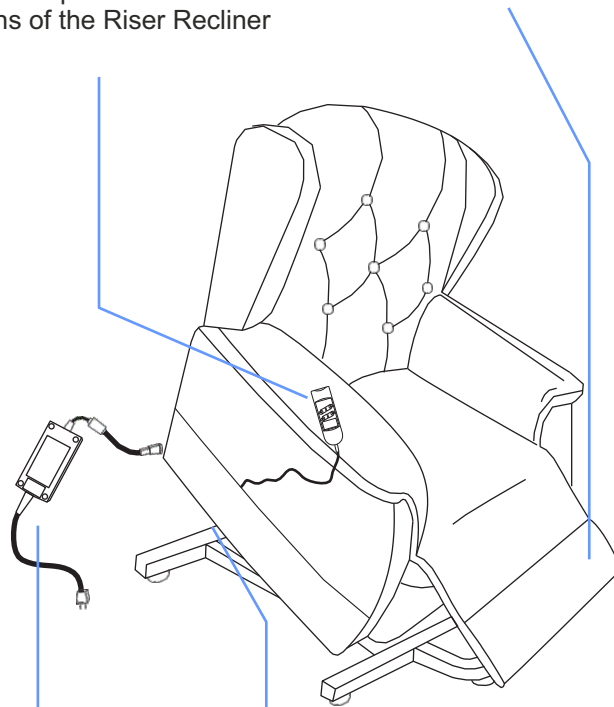
Parts List		
1 x Back	1 x Seat	1 x Power Adapter 

Assembly Instructions



HANDSET:
Needed to operate the various functions of the Riser Recliner Chair

LEG REST:
Provides a rest for the user's legs when raised and folds up neatly when the chair is in the upright and lift positions.



LIFT MECHANISM:
Responds to commands from the handset to adjust the position of the chair.

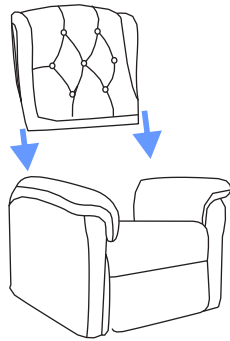
POWER ADAPTER & MAINS LEAD:
The chair needs to be connected to a mains electricity supply (220-240V 50Hz) to provide power to operate the rise and recline mechanism.

Assembly Instructions

Position the backrest so that its female brackets align with the male brackets on the seat, on both sides of the chair.

Press down on the backrest so that it 'clicks' into position.

Check that the backrest is secure on both sides of the chair.

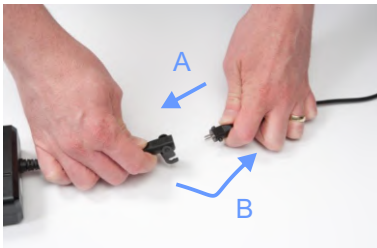


If supplied with the chair, attach the castors to the rear of the frame by screwing them into the threaded inserts.

Locate the free end of the cable, underneath the chair (the other end is connected to the chair actuator).

Take the power adapter (this may be located in the chair pocket) and connect the cable to the lead on the power adapter (A).

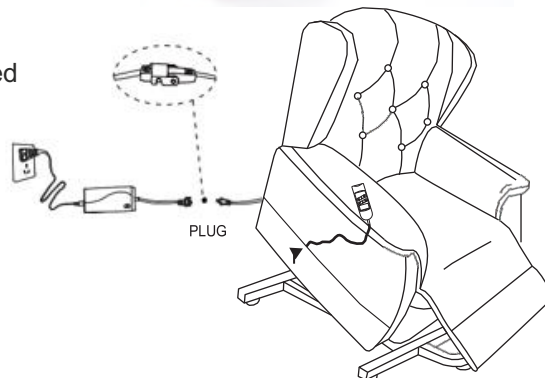
Push the connector cover over, so that it locks the connection together (B).



Install the backup batteries, if required (see next section).

Plug the figure-8 connector, on the mains lead, into the socket on the power adapter.

Plug the 3-pin plug into the mains socket and switch on the mains supply.



Battery Backup

The battery backup facility is located within the power adapter. The facility requires two 9V PP3 batteries (not supplied).

To install or replace the battery backup facility:

1. Unplug the power adapter from the mains.
2. On the underside of the power adapter, slide the cover off the battery compartment.
3. Remove any old batteries and unplug them from the power adapter.
4. Connect the two batteries to the two cables within the battery void.
5. Position the batteries into the battery void and replace the plastic cover.

Battery backup operating instructions:

The battery backup facility will operate automatically in the event of a power cut. The battery backup will be considerably slower than during normal operation. Operate the chair as normal, until the chair is in the normal or raised position. The power on the backup batteries is extremely limited. The chair should be returned to the position described above and then the batteries replaced or recharged.

Note: Your model may not include the battery backup facility.

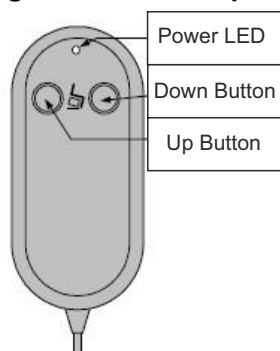
HANDSETS

General Operation (all models)

To allow the armchair to operate, the key jack must first be inserted into the safety lock. This is a safety precaution and the key jack should be removed when the handset is not in use to prevent accidental movement of the armchair. The power LED will illuminate when the armchair is operating. Ensure that you have read the section on Personal Safety before operating the armchair.

Single Motor Chair Operation

Applies to Chicago and Indiana



Operation (Basic 2 button Handset)

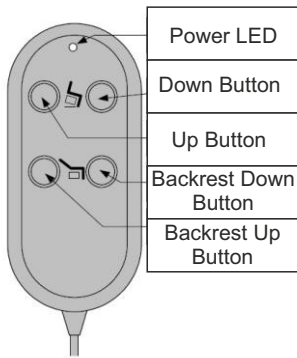
Press the 'Up' button to raise the back rest to the upright position, lower the leg rest and raise / tilt the armchair to allow easy access.

Press the 'Down' button to lower the armchair, elevate the leg rest and recline the back rest. The leg rest elevates and the back rest reclines simultaneously.

Handset

Dual Motor Chair Operation

Applies to Nevada and Memphis



Operation (Basic 4-Button Handset)

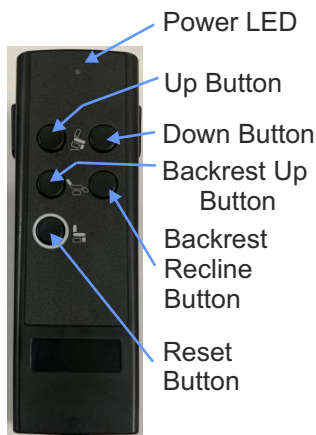
Press the 'Up' button to lower the leg rest to its normal position and then raise / tilt the chair to allow easy access.

Press the 'Down' button to lower the chair and then elevate the leg rest.

Press the 'Backrest Up' button to raise the backrest.
Press the 'Backrest Down' button to recline the backrest.

Extra Large Chair Operation

Applies to Alaska



5-Button Handset Operation

Note: Ensure the safety jack key is inserted.

Press the 'Up' button to first lower the leg rest to its normal position. Continue to press the button to then raise / tilt the chair, to allow easy access.

Press the 'Down' button to first lower the chair.

Release and continue to press the button to then elevate the leg rest.

Press the 'Backrest Up' button to raise the backrest from the reclined to the normal position.

Press the 'Backrest Recline' button to recline the backrest.

Press the 'Reset' button to reset the chair to its normal position.

Some chairs are supplied with both a 2-Button and a 3-Button Handset. (CLR15)



2-Button Handset (No Tilt function)

1. Return Button. Press to raise the backrest and lower the footrest.

2. Recline Button. Press to lower the backrest and raise the footrest.



3-Button Handset

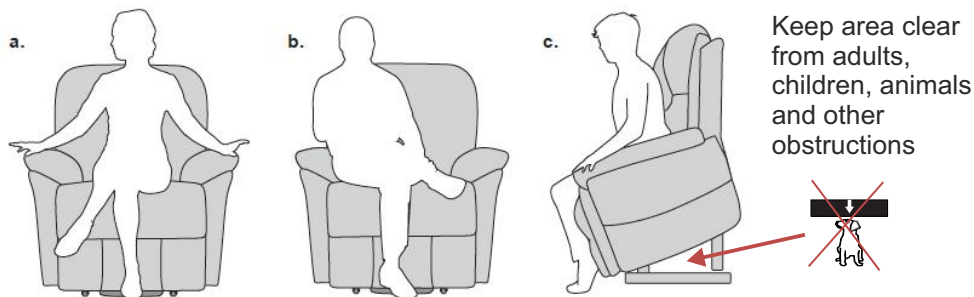
1. Raise Button. Press to raise the backrest, lower the footrest and then tilt the chair.

2. Recline Button. Press to lower the chair and then the backrest will recline and the footrest raise.

3. Reset Button. Press to return the backrest, footrest and seat to the normal position.

SAFE SEATING POSITION

The chair is a lifting device and it is important that you are positioned correctly in the chair when raising and lowering. If the correct body position is not maintained there is risk of injury or damage to the chair. The central position should be used when either the standing or sitting mode is operational.



a) Correct position. Sit centrally with your arms resting on the chair.

b) Incorrect position. This will place excessive strain on the mechanism and will make the chair unstable.

c) Using the chair to stand (refer to Handset Operation on page 10)

If you are not using the chair, it should not be left in the UP or RECLINED position. When the chair is in the sitting position, it can of cause be used as a normal piece of furniture.



Before operating the controls ensure that children or pets will not be trapped and that the chair is not obstructed in any way. Do not attempt to get out of the chair with the leg rest in the raised position - the mechanism may be damaged by putting too great a weight on it.



When the chair and leg rest are raised, keep the indicated areas clear of pets, children, bags or any obstruction. Always ensure that cables or tubes are not trapped in any part of the moving mechanism.

Safety

Please read and follow these safety guidelines to get the very best use from your chair. Please note that failure to follow these guidelines could result in injury or damage and invalidate the warranty. Always use this chair in accordance with this manual.

- Situate the chair on a flat/level surface.
- Ensure that just one person uses the chair at a time.
- Care to be taken with stowage of the handset to ensure that the handset cable presents no strangulation hazards to children.
- Do not let children play with the handset, or other aspects of the chair.
- Ensure the mains cable does not pose a trip hazard.
- Do not leave children or pets unsupervised in or around the chair due to potential tripping hazards from the mechanism.
- The rise/recline of the leg rest is supported by a scissor mechanism: take care to avoid trapping clothing, blankets, fingers, etc.
- We do not recommend the use of throws or additional loose covers on or near the moving mechanism.
- Plug the power lead directly into an electric socket, do not use extension cables.
- To avoid overheating, do not cover the power adapter.
- The leg rest should not be used as seat, it is not designed to bare the full body weight of the user.
- Please observe the weight limit of the chair, shown on the product label.
- Do not 'drop' into the chair, especially if it is in a partially raised position.
- Do not stand on the chair or the leg rest.
- Do not use the chair as bed.
- Do not sit on the arms.
- Do not sit on the chair back, when the chair is in the reclined position.
- Do not attempt to exit the chair, when the chair is in the reclined position.
- Ensure the chair is placed at a suitable distance from walls and other objects/furniture, to allow full operation of the chair without causing collision or damage.
- Check on regular basis that all bolts, screws and nuts are fixed securely.
- Visually inspect the handset, wiring and power adapter for signs of wear, on a regular basis.
- Avoid ingress of food or drink spillages to the electrical parts.
- To move the chair, lift it, do not drag, as this may cause damage to the lifting mechanism and entrap cables.
- Use a minimum of 2 people to move the chair (ensure the chair is disconnected from the mains supply before moving).
- Only move the chair whilst it is in the upright/rest position and do not move the chair whilst it is occupied.
- If the chair has been moved, check that the wires have not been trapped in the mechanism, under the chair base, or other furniture, before use.

Safety


- Take care with electric, gas or open fires near to the chair and ensure cigarettes and matches are properly extinguished.
- Take care to avoid sharp objects, such as buckles, metal fasteners, needles/pins, scissors, etc, coming into contact with the chair.

If there is any information in this manual which you do not understand, or if you require additional assistance for setup or operation, then please contact your retailer.

Caution and traceability details are contained on the underside of the leg rest and on the frame, at the back of the chair.

Drive DeVilbiss Healthcare Ltd - HX2 9TN	
CARELESSNESS CAUSES FIRE	
Batch Number	Date of Manufacture
This item does not include a Schedule 3 Interliner	
To comply with the Furniture and Furnishings (Fire) (Safety) Regulations 1988 -	
This article contains a foam filling which has been tested to ensure compliance with the relevant ignitability test.	
All covers have been tested to ensure that they are match and cigarette resistant.	
<small>Issue: 2022-05</small>	

For further information relating to the identification of this product (product code, serial number and date of manufacture), please refer to the product label which is located on the underside frame of the riser recliner.

	Do not allow children to play on this mechanised furniture or operate the controls. The leg rest folds down on closing, so could possibly injure a child. Always leave the chair in an upright and closed position. Keep hands and feet clear of the mechanism. Only the occupant should operate the chair.
---	---

Product Care

Servicing

The riser recliner chair should be serviced annually, if it is used in a single user environment. Chairs which are used in a multi-user environment, (e.g. in communal accommodation) may have to be serviced more frequently. Servicing should be completed by competent personnel such as a Drive DeVilbiss Healthcare Ltd dealer or a service contractor. Contact your Drive DeVilbiss retailer for a servicing schedule.

Care Guidance for Fabric & PU Upholstered Chairs

We recommend cleaning the fabric with a slightly moist cloth only, and not using cleaning agents.

Avoid cleaning the fabric too often as this can cause damage to the fabric.

For PU upholstered chairs, please only use a soft cloth to wipe the surface. You may use some neutral detergent with a damp cloth to remove any dirt. DO NOT use any cleanser with organic solvents (such as alcohol), acid or baby oil.

The PVC sides and back can be cleaned with a slightly moist cloth.

To avoid fading, do not over expose your chair to direct sunlight.

This information is provided as guidance only and for any major spill or stain we would recommend professional cleaning.



Covers should not be allowed to come in direct contact with any type of heat source, e.g., a space heater, cigarette or candle, as personal injury or fire damage may occur.



We strongly recommend you do not smoke while seated in or using your lift chair. You must adhere to the following safety guidelines if you decide to smoke while seated in or using your lift chair:

- Do not leave lit cigarettes unattended.
- Always keep ashtrays at a safe distance from the lift chairs.
- Always make sure cigarettes/cigars are completely extinguished before disposal.

Electronics Care

- Inspect all wires to ensure that they are not damaged or frayed.
- If damage is present, unplug the chair and contact your retailer for service.
- Keep all electronics free from moisture and extreme temperatures.
- This chair is intended for indoor use only.



To prevent any electrical shock, ensure that any wires leading from the external power adapter to the mains electric supply are kept clear of lift chair pinch points and mechanical linkages.

Disposal and Recycling

When the riser recliner chair, the electrical system, or any associated packaging or accessories have come to the end of their useful life, follow local recycling and W.E.E.E (Waste Electrical and Electronic Equipment) policies for disposal.

Your chair must be disposed of according to applicable local and national statutory regulations. Contact your local waste disposal agency for information on proper disposal of lift chair packaging, metal frame components, covers, electronic components and batteries.



Plastic bags are a suffocation hazard. Dispose of plastic bags properly and do not allow children to play with them.

Troubleshooting

Troubleshooting

Where do I find the model number and serial number on my lift chair?

The model number and serial number of the chair can be found on the product label, which is located on the metal frame, at the rear of the chair. Please note that these details must be provided in order for any replacement parts or service to be provided.

Who do I call for service?

Contact your retailer for service

Frequently Asked Questions

What if my lift chair does not operate at all?

- Check the circuit breaker, for the mains socket.
- Check all connections to and from the power adapter and to the handset.
- Try using the 'Reset' button (if fitted).
- To reset the chair completely, with a 5-button handset, first fully raise the leg rest and also fully recline the backrest. Then press the 'Reset' button to restore the chair to its normal position. (Note: This process also needs to be carried out if a part has been replaced on the chair).
- If the chair is still not operational, please contact your retailer.

What if my chair operates in one direction only?

- Check that the Up/Down buttons on the handset are not sticking. If the button is sticking in either position then the handset will need to be replaced.
- Try using the 'Reset' button (if fitted).
- Contact your retailer for further assistance.

What if my lift chair stops during a lifting cycle?

- The floor may be uneven or the carpet may be affecting the chair operation.

What if my chair or handset start to overheat or smell like smoke?

- Unplug the mains supply and stop using the chair immediately.
- Contact your retailer for further assistance.



If you are uncertain about your chair and the way it is working, unplug it and contact your retailer for further assistance.

Fair Wear and Tear Policy

Your new chair is covered by a warranty (see further details below), please note that this does not include:

- Damage caused by exceeding the maximum weight limit.
- Damage caused by neglect or improper use (e.g. people sitting on the arms or elevated leg rest).
- Fading over time or due to prolonged exposure to sunlight.
- Damage from spills or leaks.
- Cigarette or match burns.
- Damage from collisions with a wall or other objects placed too close to the chair.
- Accidental tears and scuffs.
- Damage caused by animals (scratches, claw or bite marks)
- Damage caused by inappropriate cleaning or maintenance.
- Unauthorised repairs or adaptations.

In the event of an issue with your chair, please contact your retailer, quoting the model number and serial number from the product label, which is located on the frame at the rear of the chair.

If you find a fault with any electrical element of the chair, unplug the chair from the mains and contact your retailer, quoting the model number and serial number from the product label, which is located on the frame at the rear of the chair.

The warranty is non-transferable.

The manufacturer reserves the right to alter without notice any weights, measurements or other technical data presented in this manual.

Please contact your retailer in the event of a warranty claim.

This does not affect your statutory rights.

Warranty

Your riser recliner chair comes with a comprehensive warranty. For warranty issues and claims please contact your Drive DeVilbiss Healthcare Ltd dealer.

Warranty Conditions:

1. Any work or replacement part installation must be carried out by an authorised Drive DeVilbiss Healthcare Ltd dealer or service agent.
2. To apply the warranty, should your chair require attention, please contact your Drive DeVilbiss Healthcare Ltd dealer.
3. Should any part of the chair require repair, or full or part replacement, as a result of a manufacturing or material defect within the warranty period, parts will be supplied free of charge. Please note the guarantee is non-transferable.
4. The warranty period is 1 year, for all types of user.
5. An additional year's warranty is added to chairs that are used in a domestic, single user environment (making a total of 2 years warranty).
6. Any repaired or replaced parts will be covered by this warranty for the balance of the warranty period on the chair.
7. Parts replaced after the original warranty has expired, will be covered by a three-month warranty.
8. Consumable items supplied will not generally be covered during the normal warranty period, unless such items require repair or replacement clearly as a direct result of a manufacturing or material defect. Such items include (among others): fabric, foam and batteries.
9. The warranty conditions apply to brand new chairs. If you are unsure whether your chair is covered, please check with your Drive DeVilbiss Healthcare Ltd dealer. Products supplied by Drive DeVilbiss Healthcare Ltd as secondhand, carry a six-month warranty.
10. Under normal circumstances, no responsibility will be accepted where the chair has required assistance as a result of
 - a) The chair part not having been maintained in accordance with the manufacturer's recommendations.
 - b) Failure to use the manufacturer's specified parts.
 - c) The chair having been damaged due to neglect, accident or improper use.
 - d) The chair or part having been altered from the manufacturer's specifications or repairs having been attempted before the service agent is notified.

In the event of your chair requiring attention, please contact your dealer/service agent and give all relevant details so they can act quickly. Please contact Drive DeVilbiss Healthcare Ltd for advice if you do not know where the chair was originally purchased from.

The manufacturer reserves the right to alter without notice any weights, measurements or other technical data presented in this manual.

Specification

Model	Chair dimensions			Seat dimensions			Battery Backup
	Depth	Width	Height	Depth	Width	Height	
Chicago (Standard)	95cm (37½")	82cm (32¼")	110cm (43¼")	55cm (21½")	49cm (19¼")	49cm (19¾")	No *
Chicago (Petite)	88cm (34½")	78cm (30¾")	103cm (40½")	47cm (18½")	47cm (18½")	44cm (17¼")	No
Nevada (Standard)	92cm (36¼")	86cm (34")	110cm (43½")	53cm (21")	49cm (19¼")	46cm (18")	Yes
Nevada (Petite)	87cm (34¼")	82cm (32¼")	101cm (40")	48cm (19")	44cm (17¼")	46cm (18")	Yes
Nevada (Grande)	90cm (35½")	90cm (35½")	110cm (43¼")	52cm (20½")	52cm (20½")	48cm (19")	Yes
Indiana (Standard)	94cm (37")	81cm (32")	108cm (42½")	55cm (21½")	49cm (19¼")	51cm (20")	Yes
Indiana (Petite)	86cm (34")	79cm (31")	103cm (40½")	48cm (19")	48cm (19")	45cm (17¾")	Yes
Memphis (Standard)	92cm (36")	83cm (32¾")	112cm (44")	46cm (18")	53cm (21")	47cm (18½")	Yes
Memphis (Petite)	85cm (33½")	78cm (30¾")	104cm (41")	46cm (18")	48cm (19")	47cm (18½")	Yes
Alaska (Extra Large)	89cm (35")	103cm (40½")	115cm (45¼")	54cm (21¼")	72cm (28¼")	48cm (19")	Yes

* Chicago (Standard) chairs covered with PVC fabric, are supplied with a battery backup.

All the dimensions are for the chairs in their normal, upright position.
Tolerance is ± 30mm.

All units should be placed with the back at least 60cm away from the wall to prevent damage when reclining the chair.

Your riser recliner armchair complies with The Furniture and Furnishings (Fire) (Safety) Regulations 1988.



Drive DeVilbiss Healthcare Ltd.
Sidhil Business Park, Holmfield, Halifax,
West Yorkshire, HX2 9TN, Great Britain

Drive DeVilbiss Sidhil Ltd.
4 Trench Road, Mallusk, Newtownabbey
BT36 4TY, Northern Ireland

Tel: +44 (0) 845 0600 333
Email: info@drivedevilbiss.co.uk

Drive DeVilbiss Healthcare Ltd. provide these instructions for use.

Note: Images contained in this manual are for illustration and parts identification purposes only and may not reflect the actual product supplied.



The Chairworks Manufacturing Group Ltd.
9 Shenghui South Road, Nantou Town,
Zhongshan City, Guangdong Province, China



Issue: 2023-02 Rev3